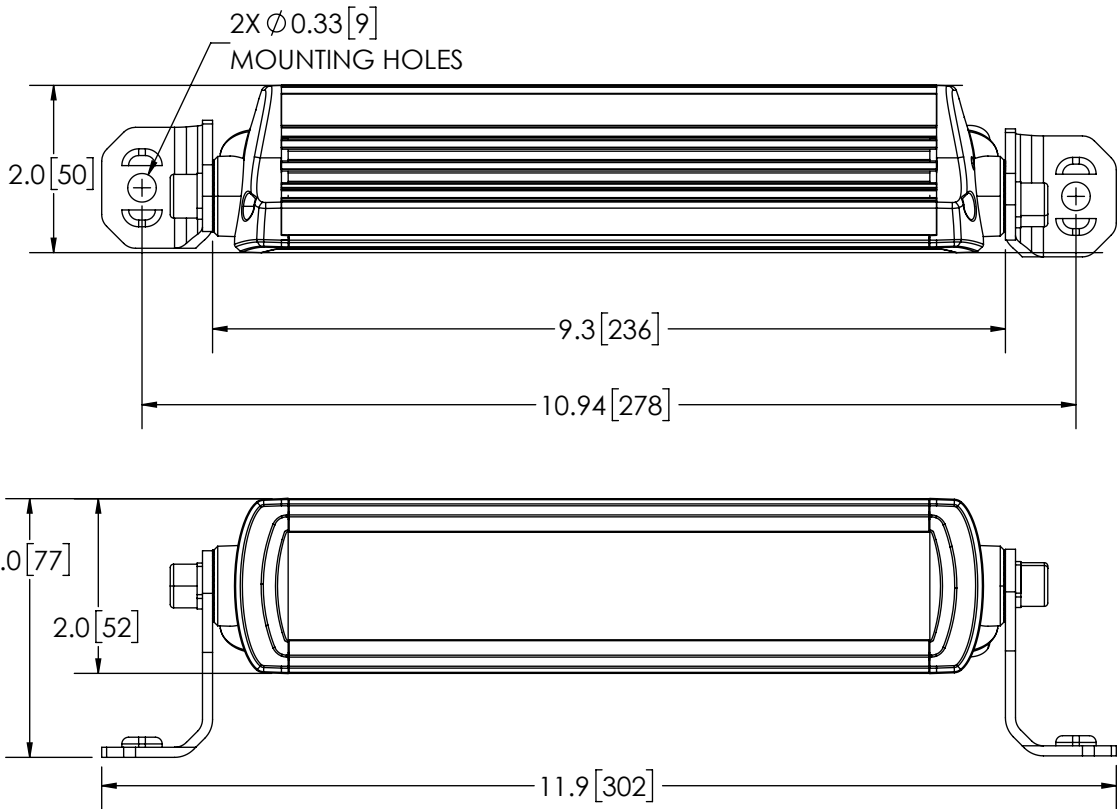


REVISION HISTORY		
REV.	DESCRIPTION	DATE
03	REVISED PER EL0145	2019-08-16
A	INITIAL RELEASE PER EL0145	2019-08-19
B	REVISED PER EL0145	2019-12-18




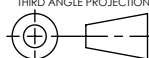
SPECIFICATIONS

- CERTIFICATIONS: **CE**; IP67, IP69K
 Note: Unique components, accessories, and hardware kits are not typically included in the Product Certification Test Protocols. Unless otherwise Specified, the Product Certifications referred to herein are predicated upon the base product model configuration.
- RAW LUMENS: 857 lumens
- EFFECTIVE LUMENS: 836 lumens
- ILLUMINANCE (@ 100 FT): 2 lux
- PEAK BEAM INTENSITY: 1812 candela
- VOLTAGE (NOMINAL): 12-24 VDC
- VOLTAGE (EXTREME): 10-30 VDC
- CURRENT (PEAK): 0.76A (@ 12 VDC NOMINAL)
- POWER (MAXIMUM): 9.7W (@ 12 VDC NOMINAL)
- TEMPERATURE RANGE: -40°F (-40°C) TO 149°F (65°C)
- CONNECTION: 2 - 16 AWG WIRES
- MOUNTING: BRACKET
- HOUSING MATERIAL: ALUMINUM, BLACK COATING
- LENS MATERIAL: POLYCARBONATE
- PRODUCT WEIGHT: 1.46 LBS (0.66 Kg)

MOUNTING DISCLAIMER
 MOUNTING MEASUREMENT IS FOR REFERENCE ONLY. MEASURE BEFORE DRILLING.

DISCLAIMER
 DIMENSIONS, ILLUSTRATIONS, SPECIFICATIONS, AND CERTIFICATIONS CONTAINED IN THIS DOCUMENT ARE TYPICAL OF THE ACTUAL PRODUCT AND ARE SUBJECT TO CHANGE. ECCO ENGINEERING DOES NOT MAINTAIN FORMAL DESIGN CONTROL OF THIS PRODUCT.

- NOTES:
- CABLE NOT SHOWN FOR CLARITY
 - CABLE DIMENSION WITH DEUTSCH CONNECTOR IS 31.50 ± 1.00 [800 ± 25] FROM THE WIRE EXIT TO THE END OF THE MATING CABLE
 - ROHS COMPLIANT
 - DIMENSIONS IN INCHES [MILLIMETERS (FOR REFERENCE)]

SCALE 1:2.25		APPROVALS	DATE	 ECCO [®] www.eccolink.com Americas (800) 635-5900 Europe +44 (0)113 237 5340 Asia Pacific +61 (0)3 63322444
CAD GENERATED DRAWING DO NOT MANUALLY UPDATE. MODEL REFERENCED: 01		DRAWN BY ABD	2019-11-22	
TOLERANCES ARE IN INCHES, AND MILLIMETERS TOLERANCES UNLESS OTHERWISE STATED ARE:		CHECKED ABB	2019-11-25	UTILITY BAR, LED, 9", SINGLE FLOOD, 12-24 CUSTOMER PART NO. EW3109 PRODUCT SERIES: EW3000
MILLIMETERS DECIMALS XX ± 1.0mm XX.X ± 0.5mm	INCHES DECIMALS X.X ± 0.1 X.XX ± 0.04 X.XXX ± 0.02	MECH. ENG.		
ANGLES ± 0.5° FRACTIONS ± 1/64		ELEC. ENG. SPO	2019-11-22	
THIRD ANGLE PROJECTION		TEST ENG. RM	2019-12-05	SIZE: A
		SALES. ARS	2019-11-22	DWG. NO. EW3109
Electronically Controlled Use Latest Copy		SHEET 1 OF 1		Project: EL0145
		Date Created: 2019-04-02		REV. B

PROPRIETARY AND CONFIDENTIAL INFORMATION

THIS DRAWING AND THE DESIGN AND OTHER INFORMATION DISCLOSED HEREIN ARE THE PROPERTY OF ELECTRONIC CONTROLS COMPANY AND/OR ITS ECCO SAFETY GROUP AFFILIATES ("ECCO") AND IS ISSUED IN CONFIDENCE TO RECIPIENT FOR ENGINEERING INFORMATION PURPOSES ONLY. THIS DRAWING AND THE DESIGN AND OTHER INFORMATION DISCLOSED HEREIN MAY NOT BE USED, COPIED, REPRODUCED OR OTHERWISE DISCLOSED IN PART OR IN WHOLE TO THIRD PARTIES OR USED FOR ANY OTHER PURPOSE WITHOUT PRIOR ECCO WRITTEN CONSENT. ECCO RESERVES ALL PATENT, COPYRIGHT, TRADEMARK AND OTHER PROPRIETARY RIGHTS TO THIS DOCUMENT, INCLUDING ALL DESIGN, MANUFACTURING, REPRODUCTION, USE AND SALES RIGHTS THERETO. THIS DRAWING IS SUBJECT TO RECALL BY ECCO AT ANY TIME, AND YOUR POSSESSION AND/OR USE CONSTITUTES ACCEPTANCE OF THESE TERMS. ©2019 ELECTRONIC CONTROLS COMPANY