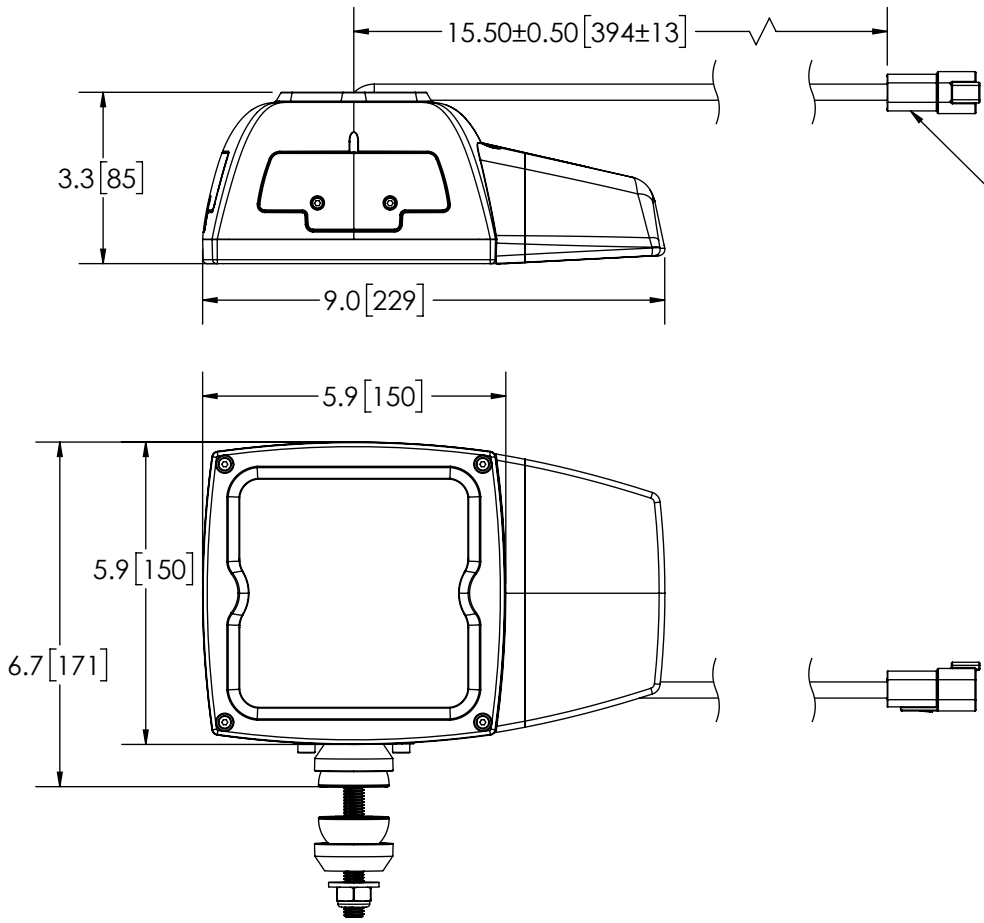


REVISION HISTORY		
REV.	DESCRIPTION	DATE
A	INITIAL RELEASE PER EL0130	2018-09-26
B	REVISED PER EC5347	2019-11-26
C	REVISED PER EC5769	2020-04-08



6-16 AWG WIRES W/ CONN.  
HOUSING: DEUTSCH P/N DT04-2P  
TERMINALS: DEUTSCH P/N 1011-026-0205  
SEAL: DEUTSCH P/N W6-P  
PIN 1: BLACK WIRE - NEGATIVE(-)  
PIN 2: RED WIRE - HIGH BEAMS(+)  
PIN 3: GREEN WIRE - PARKING LIGHT(+)  
PIN 4: GREY WIRE - INDICATOR LIGHTS(+)  
PIN 5: BLUE WIRE - NOT USED  
PIN 6: YELLOW WIRE - LOW BEAMS(+)

**SPECIFICATIONS**


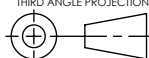
- CERTIFICATIONS: IP67 DOT  
Note: Unique components, accessories, and hardware kits are not typically included in the Product Certification Test Protocols. Unless otherwise Specified, the Product Certifications referred to herein are predicated upon the base product model configuration.
- RAW LUMENS: 2182 lumens
- EFFECTIVE LUMENS: 1686 lumens
- ILLUMINANCE (@100 FT): lux
- PEAK BEAM INTENSITY: candela
- VOLTAGE (NOMINAL): 12-24 VDC
- VOLTAGE (EXTREME): 10-30 VDC
- CURRENT (PEAK): SEE CHART (@ 12 VDC NOMINAL)
- POWER (MAXIMUM): SEE CHART (@ 12 VDC NOMINAL)
- TEMPERATURE RANGE: -40°F (-40°C) TO 149°F (65°C)
- CONNECTION: 6 CONDUCTOR CABLE W/ CONNECTORS
- MOUNTING: 1 BOLT
- HOUSING MATERIAL: ALUMINUM
- LENS MATERIAL: GLASS
- PRODUCT WEIGHT: 8.5 LBS (3.83 Kg)

FGS. PRODUCT CHART		
FUNCTION	CURRENT (PEAK) A	POWER (MAX) W
HIGH BEAM	2.9	37.1
HIGH BEAM W/ LENS HEATER	5.5	70.4
LOW BEAM	1.5	19.2
LOW BEAM W/ LENS HEATER	4.1	52.5
PARKING LAMP	0.1	1.3
INDICATOR LAMP	1.5	19.2

**DISCLAIMER**  
DIMENSIONS, ILLUSTRATIONS, SPECIFICATIONS, AND CERTIFICATIONS CONTAINED IN THIS DOCUMENT ARE TYPICAL OF THE ACTUAL PRODUCT AND ARE SUBJECT TO CHANGE. ECCO ENGINEERING DOES NOT MAINTAIN FORMAL DESIGN CONTROL OF THIS PRODUCT.

- NOTES:**
- ROHS COMPLIANT
  - EACH KIT INCLUDES 2 LIGHTS, 2 CABLE HARNESSSES, 2 MATING CONNECTORS AND 2 MOUNTING HARDWARE KITS
  - DIMENSIONS IN INCHES[MILLIMETERS (FOR REFERENCE)]

PROPRIETARY AND CONFIDENTIAL INFORMATION  
THIS DRAWING AND THE DESIGN AND OTHER INFORMATION DISCLOSED HEREIN ARE THE PROPERTY OF ELECTRONIC CONTROLS COMPANY AND/OR ITS ECCO SAFETY GROUP AFFILIATES ("ECCO") AND IS ISSUED IN CONFIDENCE TO RECIPIENT FOR ENGINEERING INFORMATION PURPOSES ONLY. THIS DRAWING AND THE DESIGN AND OTHER INFORMATION DISCLOSED HEREIN MAY NOT BE USED, COPIED, REPRODUCED OR OTHERWISE DISCLOSED IN PART OR IN WHOLE TO THIRD PARTIES OR USED FOR ANY OTHER PURPOSE WITHOUT PRIOR ECCO WRITTEN CONSENT. ECCO RESERVES ALL PATENT, COPYRIGHT, TRADEMARK AND OTHER PROPRIETARY RIGHTS TO THIS DOCUMENT, INCLUDING ALL DESIGN, MANUFACTURING, REPRODUCTION, USE AND SALES RIGHTS THERETO. THIS DRAWING IS SUBJECT TO RECALL BY ECCO AT ANY TIME, AND YOUR POSSESSION AND/OR USE CONSTITUTES ACCEPTANCE OF THESE TERMS. ©2018 ELECTRONIC CONTROLS COMPANY

SCALE 1:3.75		APPROVALS	DATE	 <b>ECCO</b> ® www.eccolink.com Americas (800) 635-5900   Europe +44 (0)113 237 5340   Asia Pacific +61 (0)3 63322444	
CAD GENERATED DRAWING DO NOT MANUALLY UPDATE. MODEL REFERENCED: A		DRAWN BY ABB	2020-04-02		
TOLERANCES ARE IN INCHES, AND MILLIMETERS TOLERANCES UNLESS OTHERWISE STATED ARE:		CHECKED MDH	2020-04-03	<b>SNOWPLOW LT KIT, LED, HEATED LENS, 12-24V</b> CUSTOMER PART NO. <b>EW4010</b>	
MILLIMETERS DECIMALS XX. ± 1.0mm XX.X ± 0.5mm	INCHES DECIMALS X.X ± 0.1 X.XX ± 0.04 X.XXX ± 0.02	MECH. ENG.	ELEC. ENG. SPO		2020-04-02
			TEST ENG. RM		2020-04-07
			SALES. ARS		2020-04-03
THIRD ANGLE PROJECTION		SIZE: A		DWG. NO. EW4010	
		Electronically Controlled Use Latest Copy		REVISION: C	
		SHEET 1 OF 1		Project: EL0130	
				Date Created: 2018-04-05	