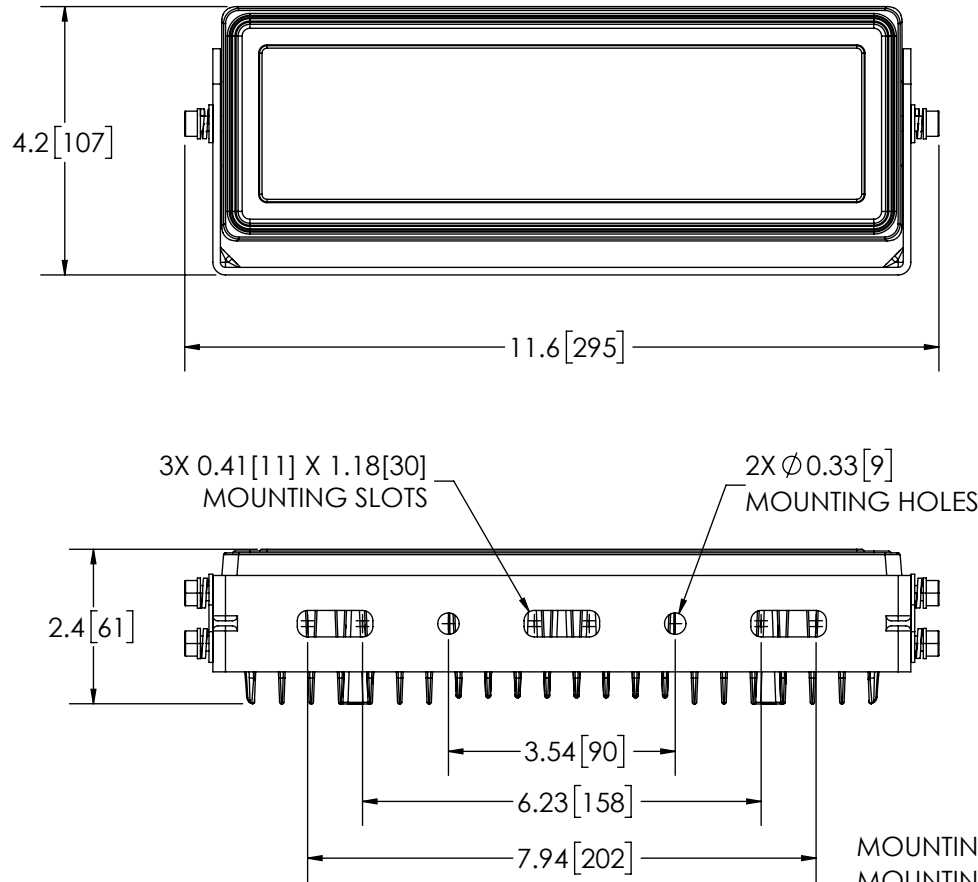


REVISION HISTORY		
REV.	DESCRIPTION	DATE
02	REVISED PER EL0145	2019-07-18
03	REVISED PER EL0145	2019-07-24
A	INITIAL RELEASE PER EL0145	2019-07-31



SPECIFICATIONS

- CERTIFICATIONS: **CE**; ECE R10; IP67
 Note: Unique components, accessories, and hardware kits are not typically included in the Product Certification Test Protocols. Unless otherwise Specified, the Product Certifications referred to herein are predicated upon the base product model configuration.
- RAW LUMENS: 4940 lumens
- EFFECTIVE LUMENS: 4507 lumens
- ILLUMINANCE (@100 FT): 2 lux
- PEAK BEAM INTENSITY: 1854 candela
- VOLTAGE (NOMINAL): 12-24 VDC
- VOLTAGE (EXTREME): 9-32 VDC
- CURRENT (PEAK): 3.7A (@ 12 VDC NOMINAL)
- POWER (MAXIMUM): 47.6W (@ 12 VDC NOMINAL)
- TEMPERATURE RANGE: -40°F (-40°C) TO 149°F (65°C)
- CONNECTION: 2 WIRES
- MOUNTING: BRACKET
- HOUSING MATERIAL: ALUMINUM, BLACK COATING
- LENS MATERIAL: POLYCARBONATE
- PRODUCT WEIGHT: 4.1 LBS (1.85 Kg)

MOUNTING DISCLAIMER
 MOUNTING MEASUREMENT IS FOR REFERENCE ONLY. MEASURE BEFORE DRILLING.

DISCLAIMER
 DIMENSIONS, ILLUSTRATIONS, SPECIFICATIONS, AND CERTIFICATIONS CONTAINED IN THIS DOCUMENT ARE TYPICAL OF THE ACTUAL PRODUCT AND ARE SUBJECT TO CHANGE. ECCO ENGINEERING DOES NOT MAINTAIN FORMAL DESIGN CONTROL OF THIS PRODUCT.

- NOTES:
- ROHS COMPLIANT
 - CABLE NOT SHOWN FOR CLARITY
 - CABLE DIMENSION IS 18.00 ± 1.00 [457 ± 25] FROM THE BACK OF THE CONNECTOR
 - DIMENSIONS IN INCHES [MILLIMETERS (FOR REFERENCE)]

SCALE 1:3		APPROVALS	DATE
CAD GENERATED DRAWING DO NOT MANUALLY UPDATE. MODEL REFERENCED: 01		DRAWN BY	ABB
		CHECKED	ABB
TOLERANCES ARE IN INCHES, AND MILLIMETERS TOLERANCES UNLESS OTHERWISE STATED ARE:		MECH. ENG.	JLA
MILLIMETERS DECIMALS XX. ± 1.0mm XX.X ± 0.5mm	INCHES DECIMALS X.X ± 0.1 X.XX ± 0.04 X.XXX ± 0.02	ELEC. ENG.	JES
		TEST ENG.	JRT
		SALES.	SBB
			2019-07-31
THIRD ANGLE PROJECTION			
		HD LED,DT,SCENE LIGHT,70W,12-24V,FLOOD	
CUSTOMER PART NO. EW4030		PRODUCT SERIES: EW4000	
SIZE: A	DWG. NO. EW4030	REV. A	
Electronically Controlled Use Latest Copy		SHEET 1 OF 1	Project: EL0145
		Date Created: 2019-04-02	

PROPRIETARY AND CONFIDENTIAL INFORMATION
 THIS DRAWING AND THE DESIGN AND OTHER INFORMATION DISCLOSED HEREIN ARE THE PROPERTY OF ELECTRONIC CONTROLS COMPANY AND/OR ITS ECCO SAFETY GROUP AFFILIATES ("ECCO") AND IS ISSUED IN CONFIDENCE TO RECIPIENT FOR ENGINEERING INFORMATION PURPOSES ONLY. THIS DRAWING AND THE DESIGN AND OTHER INFORMATION DISCLOSED HEREIN MAY NOT BE USED, COPIED, REPRODUCED OR OTHERWISE DISCLOSED IN PART OR IN WHOLE TO THIRD PARTIES OR USED FOR ANY OTHER PURPOSE WITHOUT PRIOR ECCO WRITTEN CONSENT. ECCO RESERVES ALL PATENT, COPYRIGHT, TRADEMARK AND OTHER PROPRIETARY RIGHTS TO THIS DOCUMENT, INCLUDING ALL DESIGN, MANUFACTURING, REPRODUCTION, USE AND SALES RIGHTS THERETO. THIS DRAWING IS SUBJECT TO RECALL BY ECCO AT ANY TIME, AND YOUR POSSESSION AND/OR USE CONSTITUTES ACCEPTANCE OF THESE TERMS. ©2019 ELECTRONIC CONTROLS COMPANY