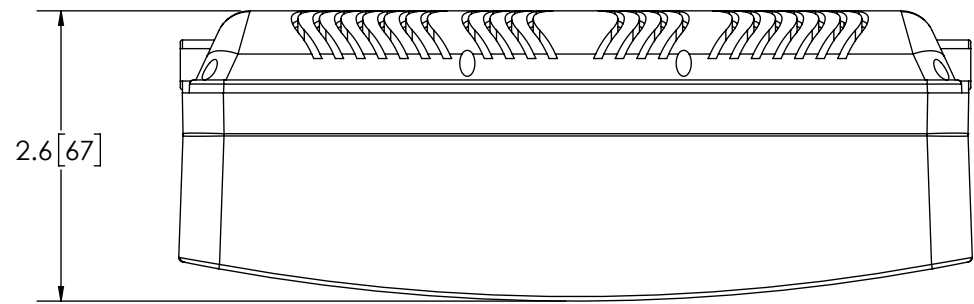
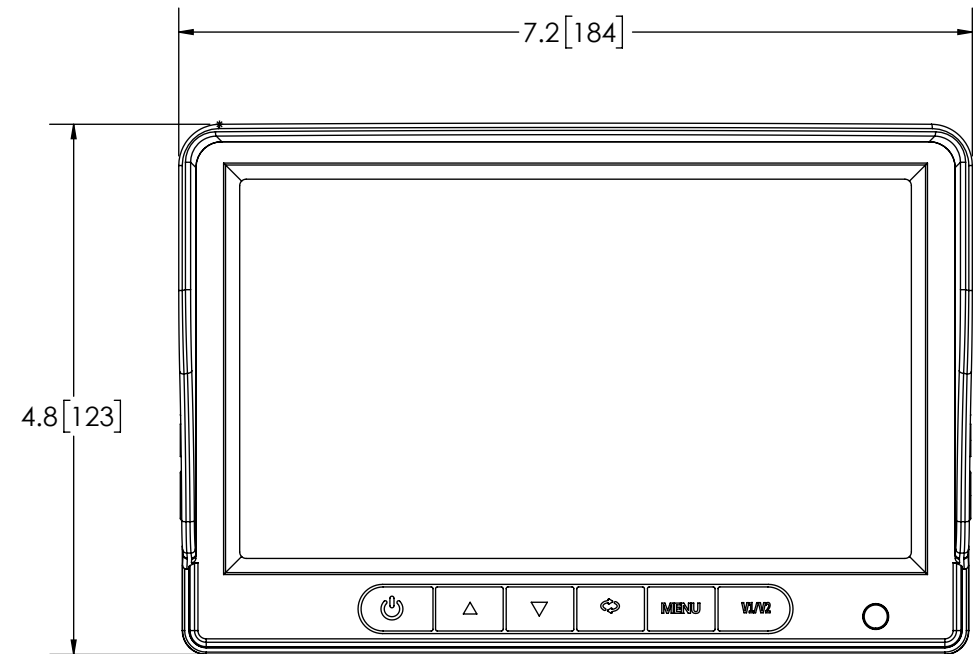
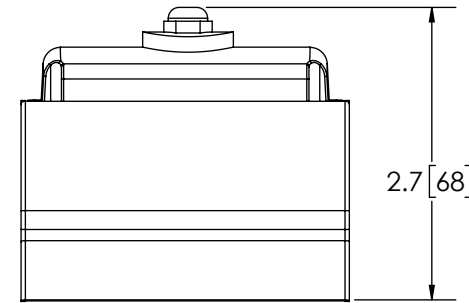


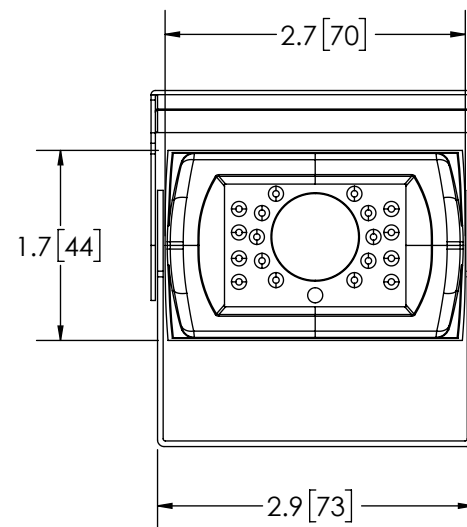
REVISION HISTORY		
REV.	DESCRIPTION	DATE
04	REVISED PER EC4713	2018-01-17
A	INITIAL RELEASE PER EC4713	2018-03-27
B	REVISED PER EC6416	2021-10-01



TOP VIEW



FRONT VIEW



SPECIFICATIONS

- CERTIFICATIONS: **CE**; FCC;
Note: Unique components, accessories, and hardware kits are not typically included in the Product Certification Test Protocols. Unless otherwise Specified, the Product Certifications referred to herein are predicated upon the base product model configuration.
- DISPLAY: 16:9 7 IN.
- RESOLUTION: 800 x 480 (PIXELS)
- COLOR SYSTEM: PAL/NTSC
- VOLTAGE (NOMINAL): 12-24 VDC
- VOLTAGE (EXTREME): 10-32 VDC
- POWER (NOMINAL): 2.9W (@ 12 VDC NOMINAL)
- TEMPERATURE RANGE: -22°F (-30°C) TO 158°F (70°C)
- CONNECTION: 7 PIN CABLE
- RECOMMENDED MOUNTING: ADJUSTABLE BASE SUPPORT
- PRODUCT WEIGHT: 0.64 LBS (0.29 Kg)
- AUDIO: NO
- DAY/NIGHT SENSOR: YES
- WIRELESS: NO

MONITOR SPECIFICATIONS

SPECIFICATIONS

- CERTIFICATIONS: **CE**; IP69K ;
Note: Unique components, accessories, and hardware kits are not typically included in the Product Certification Test Protocols. Unless otherwise Specified, the Product Certifications referred to herein are predicated upon the base product model configuration.
- LENS ANGLE: 120°
- RESOLUTION: 725 X 488 (PIXELS)
- 18 IR LEDs FOR NIGHT VISION (8-10M VISIBILITY)
- VOLTAGE (NOMINAL): 12 VDC
- VOLTAGE (EXTREME): 10-16 VDC
- POWER (NOMINAL): 0.95W (@ 12 VDC NOMINAL)
- TEMPERATURE RANGE: -22°F (-30°C) TO 158°F (70°C)
- CONNECTION: 4 PIN CABLE
- RECOMMENDED MOUNTING: UNIVERSAL BRACKET
- PRODUCT WEIGHT: 0.6 LBS (0.27 Kg)
- AUDIO: NO

CAMERA SPECIFICATIONS

NOTES:
1. DIMENSIONS IN INCHES[MILLIMETERS (FOR REFERENCE)]

PROPRIETARY AND CONFIDENTIAL INFORMATION

THIS DRAWING AND THE DESIGN AND OTHER INFORMATION DISCLOSED HEREIN ARE THE PROPERTY OF ELECTRONIC CONTROLS COMPANY AND/OR ITS ECCO SAFETY GROUP AFFILIATES ("ECCO") AND IS ISSUED IN CONFIDENCE TO RECIPIENT FOR ENGINEERING INFORMATION PURPOSES ONLY. THIS DRAWING AND THE DESIGN AND OTHER INFORMATION DISCLOSED HEREIN MAY NOT BE USED, COPIED, REPRODUCED OR OTHERWISE DISCLOSED IN PART OR IN WHOLE TO THIRD PARTIES OR USED FOR ANY OTHER PURPOSE WITHOUT PRIOR ECCO WRITTEN CONSENT. ECCO RESERVES ALL PATENT, COPYRIGHT, TRADEMARK AND OTHER PROPRIETARY RIGHTS TO THIS DOCUMENT, INCLUDING ALL DESIGN, MANUFACTURING, REPRODUCTION, USE AND SALES RIGHTS THEREIN. THIS DRAWING IS SUBJECT TO RECALL BY ECCO AT ANY TIME, AND YOUR POSSESSION AND/OR USE CONSTITUTES ACCEPTANCE OF THESE TERMS. ©2017 ELECTRONIC CONTROLS COMPANY

SCALE 1:1.75		APPROVALS	DATE
CAD GENERATED DRAWING DO NOT MANUALLY UPDATE. MODEL REFERENCED: A		DRAWN BY JW	2021-09-27
TOLERANCES ARE IN INCHES, AND MILLIMETERS TOLERANCES UNLESS OTHERWISE STATED ARE:		CHECKED BTK	2021-09-27
MILLIMETERS DECIMALS	INCHES DECIMALS	MECH. ENG.	
XX ± 1.0mm	X.X ± 0.1	ELEC. ENG.	
XX.X ± 0.5mm	X.XX ± 0.04	TEST ENG. BAK	2021-09-30
	X.XXX ± 0.02	SALES.	
	FRACTIONS ± 1/64		
THIRD ANGLE PROJECTION			
Electronically Controlled Use Latest Copy			

		www.eccolink.com	
Americas (800) 635-5900 Europe +44 (0)113 237 5340 Asia Pacific +61 (0)3 63322444			
CAM SYS, 7" COLOR, M7000B, C2013B, TC20-4B			
CUSTOMER PART NO. K7000B		SIZE: B	DWG. NO. K7000B
SHEET 1 OF 1		Project: EC4713	Date Created: 2017-11-28
			REV. B